

# SUPER LARGE MIDI PARASOLS



## TECHNICAL SPECIFICATIONS

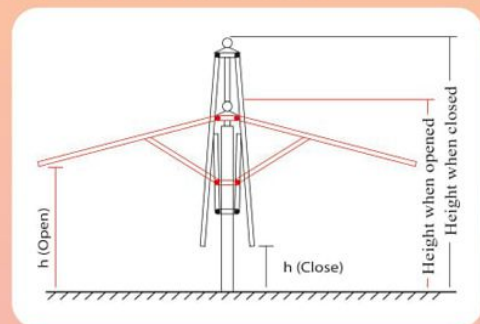
- 3x3 / 3,5x3,5 / 4x4 Square and Ø 3 / 3,5 / 4 m. round parasols
- Main pole is Ø 80 mm special profile aluminum tube.
- Ribs : 8 ribs made of special strengthened aluminum profile of 19x27-32 mm size
- Opens and closes manually and can be locked into position easily. Balanced telescoping main pole. No need to remove tables, chairs etc. when the parasol is closed. Pole telescopes (lifts) upward as the parasol is closed and telescopes down as it is opened.
- Ventilation system : A second deck cover at the top over the mid opening of the main cover. It provides for air ventilation in hot weather and it also increases the stability of the parasol under extreme winds.
- The frames are lacquered electrostaticly.
- 2 years guaranty on frame against production faults.

## FABRIC SPECIFICATIONS

- 100 % acrylic, 300 g/m<sup>2</sup>, waterproof fabric with 5 years guaranty against color fading.

## BASE OPTIONS

- Fixed, non-movable bases : These can be cast into concrete or can fixed with steel bolts through 35x35 plate to the ground.
- Movable Steel Frame Bases : The frame size is 63x63cm. Carries 4 pieces 30x30x10 cm marble blocks. Total weight 90 kg. Upon request rollers can be attached.
- Movable Steel Frame Bases : The frame size is 83x83cm. Carries 4 pieces 40x40x10 cm marble blocks. Total weight 160 kg. Upon request rollers can be attached.



DIMENSIONS (m)	Ø 3,0 m. (7,1 m <sup>2</sup> )	Ø 3,5 m. (9,6 m <sup>2</sup> )	Ø 4,0 m. (12,6 m <sup>2</sup> )	□ 3,0 m. (9,0 m <sup>2</sup> )	□ 3,5 m. (12,3 m <sup>2</sup> )	□ 4,0 m. (16,0 m <sup>2</sup> )
Height when closed	3,17	3,40	3,63	3,42	3,61	3,80
Height when opened	2,85	3,13	3,08	3,02	3,17	3,32
h (Open)	2,25	2,35	2,35	2,45	2,40	2,35
h (Close)	1,58	1,48	1,53	1,25	0,94	0,76

With ventilation system the total height increased by 18 cm. Mobile frame base increased by 6 cm. If roller used total height increased by 9 cm.

# 3x3 & 3,5x3,5 m. CLASSIC WOOD-POLE PARASOLS

## ELEGANT DESIGN

### TECHNICAL SPECIFICATIONS

- Pole : 70x70 mm beech wood.
- Ribs : 8 ribs made of special strengthened aluminum profile of 19x32 mm size. Lacquered in wood color.
- Open-close mechanism : Double pulley and rope system.
- Two years guaranty on frame against production faults.

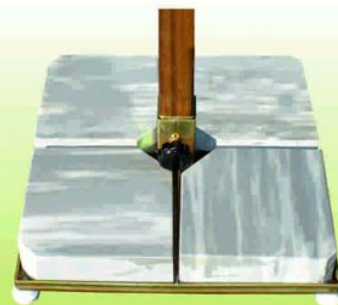
### FABRIC SPECIFICATIONS

- 100 % Polyester, 260 g/m<sup>2</sup> fabric with water repellent properties.
- 100 % acrylic, 300 g/m<sup>2</sup>, waterproof fabric with 5 years guaranty against color fading.

### BASE OPTIONS

- Fixed, non-movable bases : These can be cast into concrete or can be fixed with steel bolts through 35x35 cm. plate to the ground.
- Movable Steel Frame Bases : The frame size is 63x63cm. Carries 4 pieces 30x30x10 cm marble blocks. (Total weight 90 kg.) Upon request rollers can be attached.

DIMENSIONS (m)	□ 3,0 m. (9,0 m <sup>2</sup> )	□ 3,5 m. (12,3 m <sup>2</sup> )
Height when closed and opened	2,90	3,10
h (Open)	2,30	2,30
h (Close)	0,75	0,70
Mobile frame base increased by 6 cm. If roller used total height increased by 9 cm.		



# HANGING PARASOLS



A LARGE SHADED AREA  
FOR FREE USAGE

## TECHNICAL SPECIFICATIONS

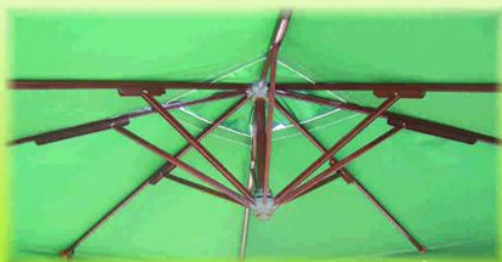
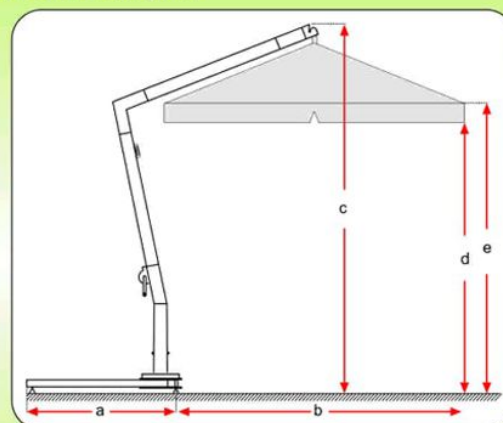
- 3x4 Rectangular and 3x3 / 3,5x3,5 / 4x4 / 5x5 m. square parasols
- Main pole and horizontal beam is 90x90 mm iroco wood. (3x3 / 3,5x3,5 / 3x4)  
Main pole 80x80 mm. steel. (4x4 / 5x5)
- Ribs : 8 ribs of 19x32 mm special aluminum profile. Lacquered in Brown wood color.
- Frame : Can be easily rotated 360° around vertical axis and fixed into position easily.  
Parasol opens and closes by means of a crank mechanism mounted onto the main pole.
- 2 years guaranty on frame against production faults.

## FABRIC SPECIFICATIONS

- 100 % Polyester, 260 g/m<sup>2</sup> fabric with water repellent properties.
- 100 % acrylic, 300 g/m<sup>2</sup>, waterproof fabric with 5 years guaranty against color fading.

## BASE OPTIONS

- Fixed, non-movable bases : These can be cast into concrete or can fixed with steel bolts through 40x40 plate to the ground. With rotating function.
- Movable Steel Frame Bases : The frame size is 83x83 cm. Carries 4 pieces 40x40x10 cm marble blocks. Total weight 160 kg. With rotating function. Upon request rollers can be attached.



Dimensions (cm)	300x300	350x350	300x400	400x400	500x500
a	83	83	83	-	-
b	293	328	293/363	385	403
c	294	294	294	335	415
d	184	184	184	226	285
e	214	214	214	256	315

Steel Frame Bases (h= + 6 cm)



## TECHNICAL SPECIFICATIONS

- 2x2 / 2,5x2,5 / 3x3 / 3,5x3,5 / 4x4 m. square and Ø 3 / 3,8 m. round 4 / 8 section (ribs) parasols
- Main pole : For 2x2 / 2,5x2,5 / 3x3 m. square parasols and for Ø 32 mm., for 3 / 3,8 m. round parasols the pole is of 50 mm and for 3x3 / 3,5x3,5 / 4x4 m telescoping parasols it is of 70 mm diameter aluminum tube.
- Ribs are of 12x20 / 20x30 / 19x27-32 mm aluminum profiles.
- Mechanism : Single or double pulley and rope system for manual open and close. for 3,5x3,5 / 4x4 m square parasols telescoping pole system is provided to prevent the removal of tables, chairs, etc when the parasols are closed.
- Ventilation system : A second deck cover at the top over the mid opening of the main cover. It provides for air ventilation in hot weather and it also increases the stability of the parasol under extreme winds.
- Electrostatically lacquered frame.
- 2 Years guaranty on the frame against production faults.

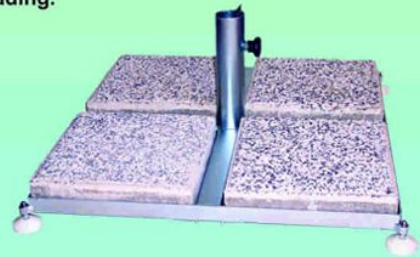


## FABRIC SPECIFICATIONS

- 100 % Polyester, 190-260 g/m<sup>2</sup> fabric with water repellent properties
- 100 % acrylic, 300 g/m<sup>2</sup>, waterproof fabric with 5 years guaranty against color fading.

## BASE OPTIONS

- 30 / 50 / 70 lt. size plastic container base.
- Fixed (non-movable) bases : To be cast into concrete or to be bolted to ground through 40x40 cm. base plate.
- Movable steel frame bases. Rollers may be attached upon request. 83x83 cm. frame with 4 pieces 40x40x10 cm. marble blocks (160 kg), 63x63 cm. frame with 4 pieces 30x30x10 cm. marble blocks. (90 kg), 60x60 cm. frame with 4 pieces. 21x33x6 cm. sanded concrete blocks (40 kg), 70x70 cm. frame with 4 pieces. 30x30x6 cm. sanded concrete blocks (50 kg).



DIMENSIONS (m)	Telescoping main pole.							
	Ø 3,0 m. (7,1 m <sup>2</sup> )	Ø 3,8 m. (11,4 m <sup>2</sup> )	□ 2,0 m. (4,0 m <sup>2</sup> )	□ 2,5 m. (6,3 m <sup>2</sup> )	□ 3,0 m. (9,0 m <sup>2</sup> )	□ 3,0 m. (9,0 m <sup>2</sup> )	□ 3,5 m. (12,3 m <sup>2</sup> )	□ 4,0 m. (16,0 m <sup>2</sup> )
Height when closed	2,50	2,80	2,23	2,40	2,83	3,50	3,60	3,60
Height when opened	2,50	2,80	2,23	2,40	2,83	3,15	3,25	3,25
h (Open)	2,03	2,30	1,80	2,00	2,20	2,30	2,43	2,30
h (Close)						1,00	0,70	0,65

With telescopic main pole system the total height increased by 18 cm.  
Mobile frame base increased by 6 cm. If roller used total height increased by 9 cm.

# STANDARD PAGODA PARASOLS



CHIC &  
FUNCTIONAL



## TECHNICAL SPECIFICATIONS

- Ø 200/250 cm diameter, 8-ribbed. Ribs are of 12x20 mm aluminum profiles with support arms.
- The Ø 200/250 cm diameter, 8-ribbed parasols are opened and closed by rope-pulley system.
- Main pole is of 32 mm. diameter, 1 or 2-section steel or aluminum tube.
- Resistant to winds with its conical "pagoda" form.
- Electrostatically lacquered.
- 2 years guaranty on the frame against production faults.

## FABRIC SPECIFICATIONS

- 100 % acrylic, 300 g/m<sup>2</sup>, waterproof fabric with 5 years guaranty against color fading.
- 100 % jute-polypropylene, 230-330 g/m<sup>2</sup>, waterproof fabric with 10 years guaranty against color fading and indefectibility.

## BASE OPTIONS

- Fixed, non-movable bases : These can be cast into concrete or can fixed with steel bolts through 20x20 cm plate to the ground.
- Movable Steel Frame Bases : The frame size is 60x60cm. Carries 4 pieces 21x33x6 cm sanded concrete blocks (40 kg). Upon request rollers can be attached.

DIMENSIONS (m)	Ø 2,0 m. (3,2 m <sup>2</sup> )	Ø 2,5 m. (5,0 m <sup>2</sup> )
Height when closed and opened	2,90	3,35
h (Open)	2,03	2,00
h (Close)	1,55	1,43
Mobile frame base increased by 6 cm. If roller used total height increased by 9 cm.		

# SUPER LARGE PAGODA PARASOLS



## TECHNICAL SPECIFICATIONS

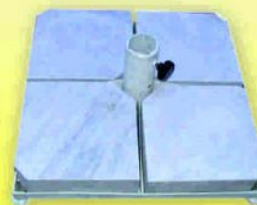
- Ø 5 m round and 3x3 / 4x4 / and 5x5 m square parasols.
- Highly resistant to winds with its conical "pagoda" form.
- Manually opened and closed easily by a single movement and fixed into position with a locking mechanism.
- Ribs are of special strengthened aluminum 19x32 mm profiles with support arms.
- Main pole is of 60 mm dia. for 3x3 m parasols and for others 100 mm. The poles are of special aluminum tubes.
- The frames are electrostatically lacquered.
- 2 Years guarantee on the frame against production faults.

## FABRIC SPECIFICATIONS

- 100 % acrylic, 300 g/m<sup>2</sup>, waterproof fabric with 5 years guaranty against color fading.
- 100 % jute-polypropylene, 230-330 g/m<sup>2</sup>, waterproof fabric with 10 years guaranty against color fading and indefectibility.

## BASE OPTIONS

- Fixed, non-movable bases : These can be cast into concrete or can fixed with steel bolts through 40x40 cm. plate to the ground.
- Movable Steel Frame Bases : For 3x3 m parasols 63x63 cm steel frame base with 4 pieces 30x30x10 cm marble blocks (total 90 kg) are used. For 4x4 parasols 83x83cm. steel frame base which carries 4 pieces 40x40x10 cm marble blocks is used. (Total weight 160 kg.) For 5x5m parasols recommended base frame size is 88x88cm with 8 pieces 40x40x10+6 cm plus marble blocks (total weight 260 kg.) Upon request rollers can be attached.



DIMENSIONS (m)	Ø 5,0 m. (19,7 m <sup>2</sup> )	□ 3,0 m. (9,0 m <sup>2</sup> )	□ 4,0 m. (16,0 m <sup>2</sup> )	□ 5,0 m. (25,0 m <sup>2</sup> )
Height when closed and opened	4,10	3,67	4,10	4,42
h (Open)	2,15	2,30	2,30	2,30
h (Close)	0,90	1,30	0,63	0,70

Mobile frame base increased by 6 cm. If roller used total height increased by 9 cm.

# FANTASTIC PARASOLS



## TECHNICAL SPECIFICATIONS

- $\varnothing$  3 / 3,5 m. round parasols with base, allowing full air circulation.
- $\varnothing$  50 mm. aluminum tube main-pole.
- 8 ribs made of special aluminum profile of 19x32 mm size.
- Manual operating mechanism with single or double pulley and rope system.
- Electrostatically lacquered frame.
- 2-year warranty on the frame for production faults

## FABRIC SPECIFICATIONS

- 100 % acrylic, 300 g/m<sup>2</sup>, waterproof fabric with 5 years guaranty against color fading.

## BASE OPTIONS

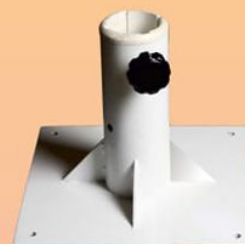
- Fixed (non-movable) bases: To be cast into concrete or to be bolted to ground through base plate.
- Movable steel frame bases. Rollers may be attached upon request.  
63x63 cm. frame with 4 pieces 30x30x10 cm. marble blocks. (90 kg.)

# SUPER LARGE PRO PARISOLS



## TECHNICAL SPECIFICATIONS

- 3x3 / 3,5x3,5 / 4x4 / 5x5 / 6x6 / 6,5x6,5 m. Square and Ø 3 / 3,5 / 4 / 5 / 5,6 / 6 / 7 m. Round parasols
- Main pole is Ø 100 mm special profile aluminum tube.
- Ribs : 8-12 ribs made of special strengthened aluminum profile of 19x32 mm size
- Easy opening and closing by means of a crank mechanism within the main pole.
- Telescoping main pole. No need to remove tables, chairs etc. before closing. As the parasol is closed the pole telescopes (lifts) upward and telescopes down as it is opened.
- Ventilation system : A second deck cover at the top over the mid opening of the main cover. It provides for air ventilation in hot weather and it also increases the stability of the parasol under extreme winds.
- The frames are lacquered electrostaticly.
- 2 years guaranty on frame against production faults.



## FABRIC SPECIFICATIONS

- 100 % acrylic, 300 g/m<sup>2</sup>, waterproof fabric with 7 years guaranty against color fading.

## BASE OPTIONS

- Fixed, non-movable bases : These can be cast into concrete or can fixed with steel bolts through 40x40 cm. plate to the ground.
- Movable Steel Frame Bases: The frame size is 83x83 cm. Carries 4 pieces 40x40x10 cm marble blocks. (Total weight 160 kg.)  
For 5x5 m. and 6 m. round parasols: 8 pieces 40x40x10+6 cm. plus marble blocks. (Total weight 260 kg.)  
For 7 m. round parasols: 8 pieces 40x40x10+10 cm. marble blocks. (Total weight 320 kg.)  
For 6x6 m. square parasols: The frame size is 100x100 cm. Carries 8 pieces 49x49x8+8 cm. marble blocks. (Total weight 380 kg.) Upon request rollers can be attached.



DIMENSIONS (m)	Ø 3,0 m. (7,1 m <sup>2</sup> )	Ø 3,5 m. (9,6 m <sup>2</sup> )	Ø 4,0 m. (12,6 m <sup>2</sup> )	Ø 5,0 m. (19,6 m <sup>2</sup> )	Ø 5,6 m. (24,6 m <sup>2</sup> )	Ø 6,0 m. (28,3 m <sup>2</sup> )	Ø 7,0 m. (38,5 m <sup>2</sup> )	□ 3,0 m. (9,0 m <sup>2</sup> )	□ 3,5 m. (12,3 m <sup>2</sup> )	□ 4,0 m. (16,0 m <sup>2</sup> )	□ 5,0 m. (25,0 m <sup>2</sup> )	□ 6,0 m. (36,0 m <sup>2</sup> )	□ 6,5 m. (42,3 m <sup>2</sup> )
Height when closed	3,30	3,35	3,56	3,80	3,90	3,87	4,25	3,70	3,70	3,80	4,20	5,02	5,32
Height when opened	2,88	2,92	2,88	3,14	3,24	3,07	3,24	3,05	2,95	3,00	3,17	3,77	3,95
h (Open)	2,26	2,23	2,40	2,33	2,36	2,40	2,40	2,36	2,30	2,23	2,40	2,80	3,08
h (Close)	1,67	1,67	1,49	1,17	1,02	0,80	0,58	1,28	1,18	0,88	0,58	0,68	0,50

With ventilation system the total height increased by 18 cm. Mobile frame base increased by 6 cm. If roller used total height increased by 9 cm.